



Photometrics® DC2

Dual-Channel, Full-Field, Simultaneous-Imaging System

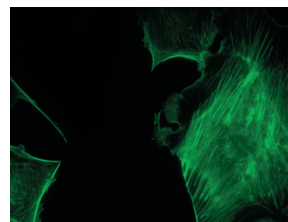
The Photometrics® DC2™ enables two-channel simultaneous imaging based on two distinct wavelengths or polarizations. Each channel is projected onto an individual CCD. Simultaneous multichannel imaging is essential to achieve quantitative emission ratiometric imaging.

Features

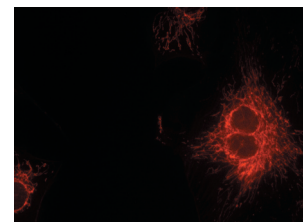
- Simultaneous acquisition of two full-field emission images
- Emission can be separated by wavelength, polarization, or amplitude
- Increases scanning speeds by a factor of two in high-content screening applications
- Easily mounts to most microscopes
- Improved adjustment control enables easier image alignment
- Exchangeable filter cube allows multiple applications to be run with minimal realignment
- Bypass mode allows user to send all of the emission light to a single camera
- Integrated, adjustable CCD mask minimizes ghosting
- Independent focus adjustment for each camera
- Works with many Photometrics® and QImaging® cameras*

*As some combinations of microscopes and objectives, particularly in some newer Olympus and Zeiss stand/objective configurations, have displayed vignetting, it is recommended that the DC2 be tested for compatibility with your system. Please contact your local representative to verify compatibility with specific cameras.

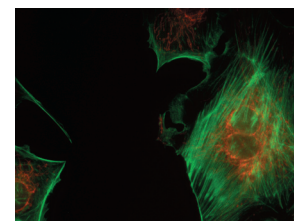
Green Channel



Red Channel



Color Overlay



DC2 Specifications

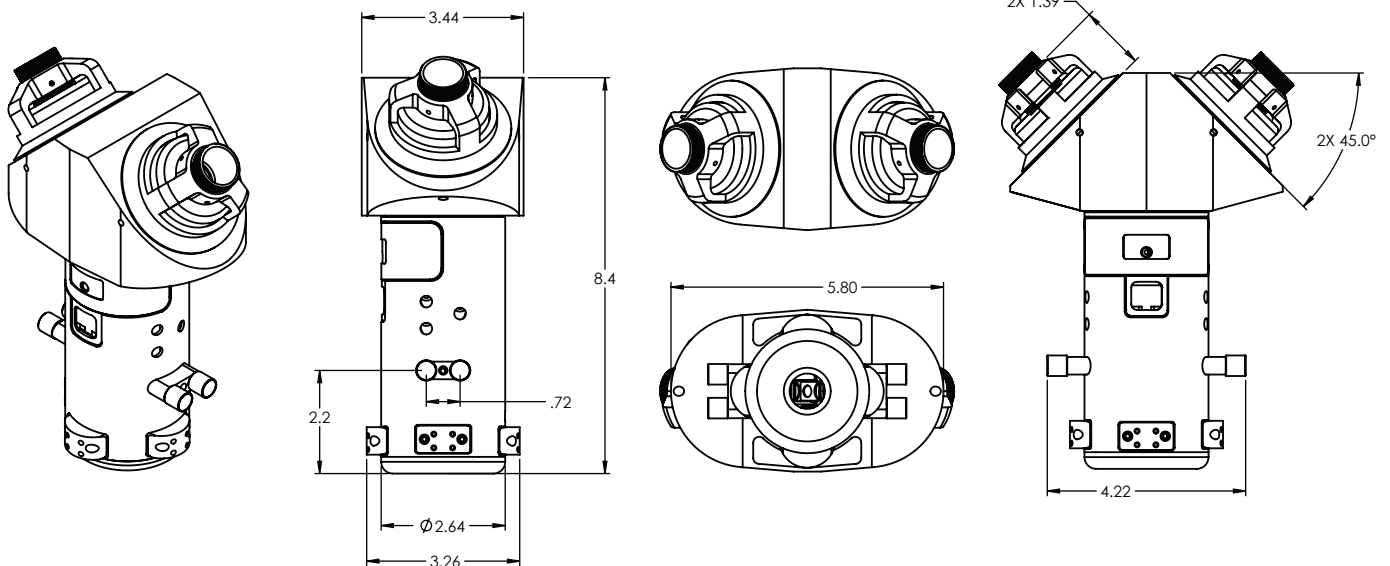
Wavelength sensitivity	400 to 750 nm
Efficiency per image*	88 to 92%
Operation temperature	10 to 37°C
Detector attachment	C-mount (male)
Front attachment	C-mount (female)
External mounting option	¼-20 tapped hole on back of unit
Dimensions	6.5" at widest point x 8.5" height
Weight	4.8 lbs
Filters	Emission/barrier, neutral density, polarization; 1" (25.4-mm) max diameter; 0.39" (9.9-mm) max thickness
Patents	USA: 5,926,283 and 5,982,497; Australia: 731,476; Canada: 2,294,840; Other foreign patents pending

* Transmission values are also modified by filter transmission.

Note: All specifications are typical and subject to change.

Applications

- Fluorescence resonance energy transfer (FRET) imaging
- Calcium imaging with fluo-3/Fura Red™ (Molecular Probes) or dual-emission indo-1 imaging
- Fluorescence polarization/anisotropy imaging
- Simultaneous fluorescence/DIC imaging
- Drug discovery with Cy3/Cy5
- Single-molecule fluorescence (SMF) imaging
- pH imaging with SNARF
- Multiwavelength total internal reflection fluorescence (TIRF) imaging
- Voltage sensing with di-4-ANEPPS
- Fluorescence *in situ* hybridization (FISH) imaging
- cAMP imaging with FICRHR
- Multichannel confocal microscopy when used in conjunction with a spinning-disk confocal



 **PHOTOMETRICS**
www.photometrics.com
info@photometrics.com
 tel: +1 520.889.9933